

**Edition: 08/06** subject to change  
supersedes: 07/02  
Status: valid

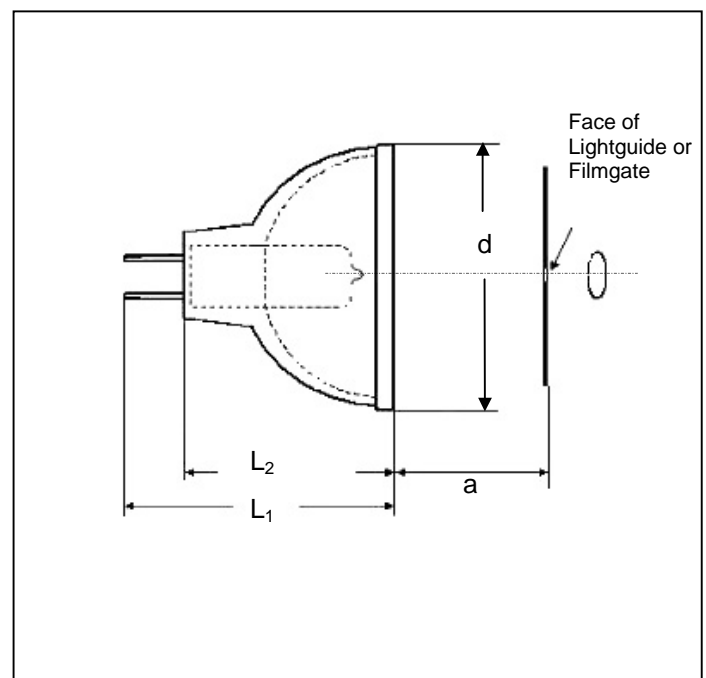
**64634 HLX**

■ **Product description**

The OSRAM 64634 HLX belongs to the group of the tungsten halogen low voltage lamps. It is used for projection and light guide applications.

■ **Technical data**

Order reference	64634 HLX	
ANSI	EFR	
LIF	A1/232	
Rated wattage	W	150
Voltage	V	15
Average service life <sup>1)</sup>	h	50
Colour Temperature	K	3350
Screen lumen	lm	400 (350 min.)
Corner/center ratio	%	75 (65 min.)
Base	GZ 6.35	
Reflector diameter d	mm	51 max.
Recommended working distance a	mm	32
Lamp length L <sub>1</sub>	mm	42 max.
Lamp length L <sub>2</sub>	mm	33.5 max.
Type of reflector <sup>2)</sup>	MR16, dichroic	



■ **Required conditions of operation**

Maximum permissible seal temperature	°C	400
Cooling	forced cooling necessary	
Burning position	p90/15	

<sup>1)</sup> Measurement conditions : Projection lens ELKINON 1:1.2; f = 20mm, aperture 5.36 x 4.01 mm  
<sup>2)</sup> Technical change in April 2006: removal of the "stud" from the brim of the reflector.